

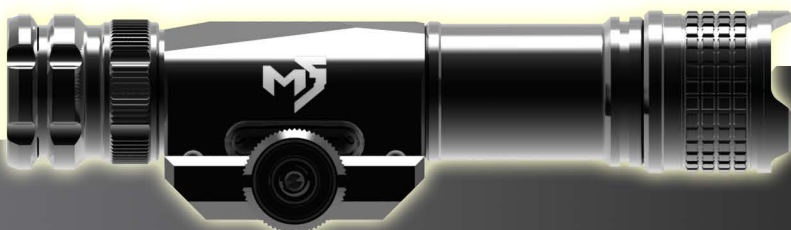
# M52

UNIVERSAL MOUNT COMPACT LIGHT  
MAX-BEAM / 6 VOLT



## Features

- Virtually indestructible super-efficient recoil-proof LED emitter regulated to the most optimized maximum light output
- Mounts securely to any MIL-STD-1913 Picatinny rail via an integral thumbscrew clamp
- Ultra-Compact design minimizes added weight, frees up rail space for other accessories
- Precision mill machined & micro mirror finished aluminum reflector creates very focused beam distance, and thermal dissipation
- High-strength aerospace grade aluminum CNC mill machined structure designed to claim the title of ultimate compact tactical illumination tool
- All surfaces are treated with Mil-Spec Type III hard-anodize coating for extreme ultra durability
- Borofloat glass grinded, tempered window resists impact and thermal shock, and AR (Anti Reflection) coated for maximizes light transmission
- Simplest operation, press Click for constant-ON light, press lite Pressure for momentary light
- Tailcap switch disables function - twisting out tailcap to prevent accidental activation
- Patent-pend. advanced ergonomic body/bezel design with spring loaded Picatinny Rail mount provides a rock solid secure mount in most simple method
- Patent-pend. unique style and ultra-compact structure design for light weight and grips in functions with sleek style



# M52

UNIVERSAL MOUNT COMPACT LIGHT  
MAX-BEAM / 6 VOLT



M52-BK



M52-DB



M52-BK

## Specification

Universal Mount Compact Light - Rocket

Model: M52-BK (Black) / M52-DB (Desert Brown)

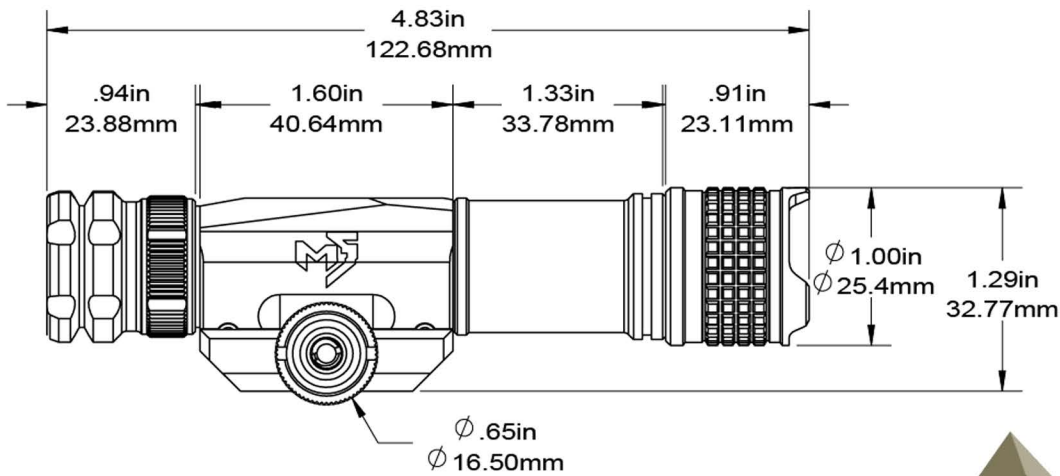
- Output / Runtime - White LED Light, 1100 Lumens 1 hour
  - Switching: One output only, HIGH. Switch Conductors: Silver - Nickel finish
  - LED: Cree XML-U2 chip - Intense Clean White light / 6,200°K. chromaticity color
  - Optic: Aerospace high grade aluminum 6061 Series CNC machined Reflector - micro mirror finish
  - Window: borofloat glass - grinded - tempered - anti reflective (AR) coated both sides
  - Body Structure: Aerospace high grade aluminum 6061 Series, CNC mill Machined
  - Surface Treatment: Mil spec hard anodized type III
  - Waterproof: O-rings & gasket sealed - IPX7 / 0.5M (ANSI/NEMA FL1, 2009 Standard)
  - Impact safety: 2M
  - Bezel Diameter: 1.00 inches / 25.5 mm
  - Flashlight Length: 3.5 inches / 90 mm
  - Weight w/o Batteries: 3.4 ounces / 95 grams
  - Fuel: 2 Lithium Manganese Dioxide Cylindrical CR123A (DL123A) cell - not included
- Rechargeable RCR123 battery works optimally

battery not included



# M52

## UNIVERSAL MOUNT COMPACT LIGHT MAX-BEAM / 6 VOLT



M52-BK



M52-DB



### Package

Model: M52-BK (Black)

M52-DB (Desert Brown)

Brown Box with clear see-thru window

White marking & Black color UPC code label

Width: 2.7" / 70.0 mm

Height: 1.9" / 48.7 mm

Length: 5.9" / 150.0 mm

Weight: 3.4 Ounce / 95 gram

### Warranty

PK Design Lab offers a One-Year warranty on products that are faulty, damaged or fail due to normal usage. Products that are in any way altered and/or disassembled by the consumer, other than by battery removal and/or exchange, or used in a manner that is beyond reasonable or the intended use is not covered by warranty.

### Maintenance

Unscrew the bezel (head) from the body and insert new battery (battery not included)

Twist out bezel long enough to prevent accidental activation (System Disable)

Clean the threads and oil the O-ring to maintain fine operations

Recommend Energizer® CR123A Lithium Battery

For repair or replacement contact your dealer

info@pkdesignlab.com / USA 1-714-248-8266

### Warning

This product produces substantial heat during operation, do not leave activated flashlight unattended. Lithium battery can explode or cause burns if disassembled, shorted, recharged, exposed to water, fire, or high temperature. Do not place loose batteries in pocket, purse, or another container containing metal objects, mix with used or other battery types, or store with hazardous, or combustible materials. Store in cool, dry, ventilated area.

